

## ProductDescription

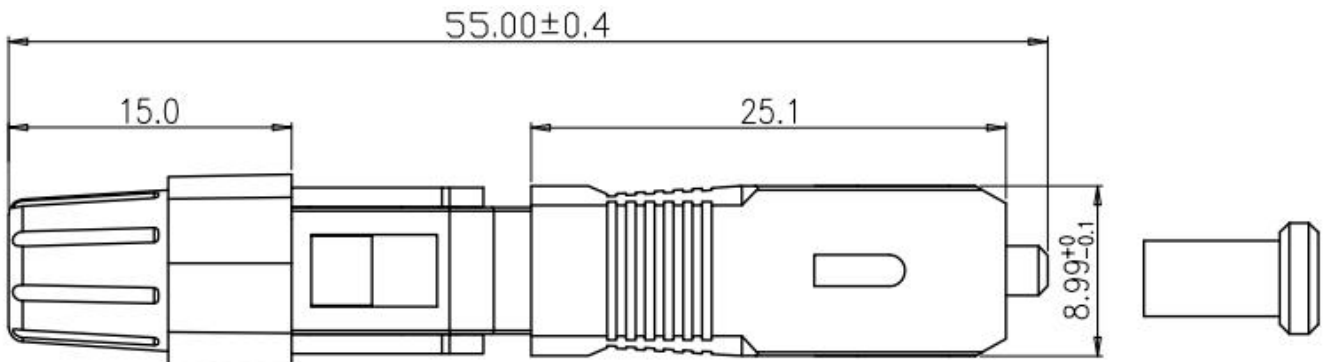
### FastConnector

SC APC UPC single mode fast connector terminates the end of an optical fiber, and enables quicker connection and disconnection than splicing.

The connectors mechanically couple and align the cores of fibers so light can pass. Better connectors lose very little light due to reflection or misalignment of the fibers

### Features

1. Pre-terminated fiber in the ferrule, no epoxy, curing and polishing.
2. Stable optical performance and reliable environmental performance.
3. Cost effective and user friendly, termination time with Tripping and cutting tool
4. Low cost redesign, competitive price.
5. Thread joints for cable fixing.



## ProductDescription

	Singlemode UPC	Singlemode APC	Multimode
Inertion loss	≤0.3dB	≤0.3dB	≤0.3dB
Return loss	≥50dB	≥55dB	≥50dB
Durability	≤0.3dB typiccal change, q000times mating		
Operating temperature	-45to+85 degree		
Ferrule hold size	125.0+1/-0um, concertricity:≤1.0um	125.0+1/-0um, concertricity:≤0.5um	127.0um, concertriity:≤3.0um
	125.5+1/-0um, concertricity:≤1.0um	125.5+1/-0um, concertricity:≤0.5um	
	126.0+1/-0um, concertricity:≤1.0um	126.0+1/-0um, concertricity:≤0.5um	

Mechanical connectors make fiber terminaitons quick, easy and reliable. These fiber optic connectors offer terminations without any hassles and require no expoxy, no polishing, no splicing, no heating and can achieve similar excellent transimission parameters as standard polishing and spicing technology. Our connector can greatly reduce the assembly and setup time. The pre-polished connectors are mainly applied to FTTH cable in FTTH projects, directly in the end user site.

## PackageDetails

100pcs/Inner box

2000pcs/Outer carton

